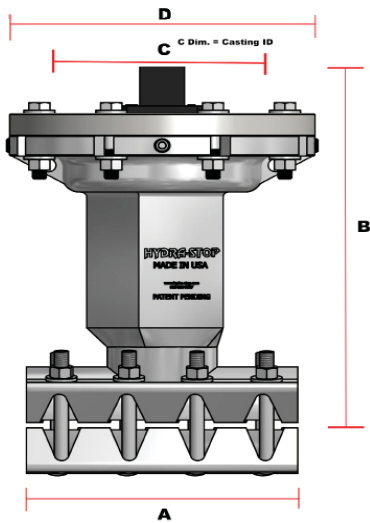
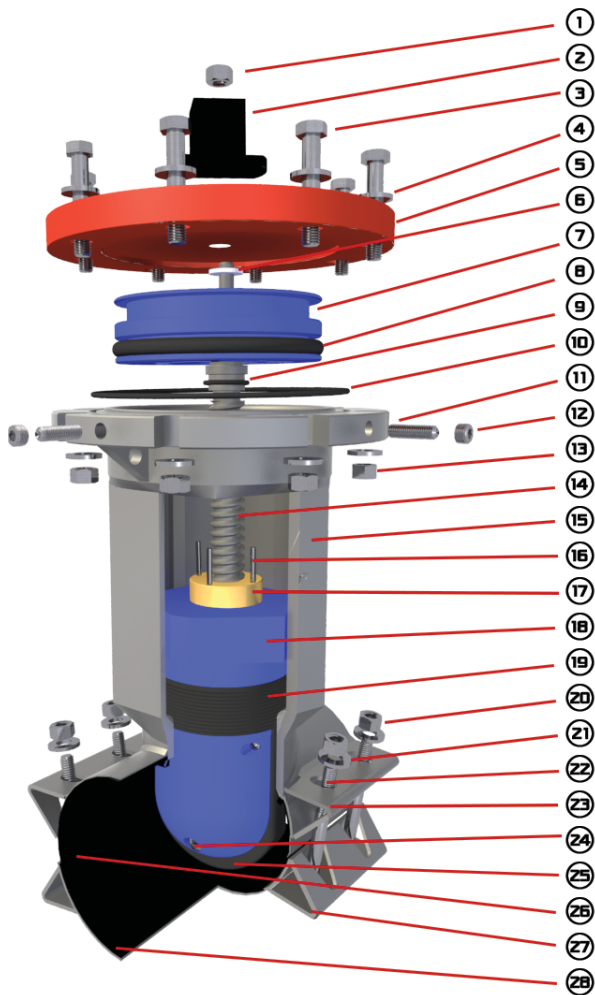


IV 250 Patriot Series™

Valve Insertion System - 4, 6, 8, 10, 12 inch Nominal Sizes

Product Cut Sheet - Insta-Valve 250 Patriot Series



Other Specifications	
Minimum Test Pressure: 1.5 times system working pressure	
Maximum Test Pressure: 375 psi, Maximum Working Pressure: 250 psi	

IV 250 ASSEMBLY

ITEM	DESCRIPTION	MATERIAL	
1	OPERATING NUT ATTACHING NUT	304 STAINLESS STEEL - COATED TO PREVENT GALLING	1
2	OPERATING NUT	STEEL, CAST	1
3	BONNET BOLTS 4" - 8"	304 STAINLESS STEEL*	8
	BONNET BOLTS 10" - 12"	304 STAINLESS STEEL*	12
4	BONNET WASHERS 4" - 8"	304 STAINLESS STEEL*	16
	BONNET WASHERS 10" - 12"	304 STAINLESS STEEL*	24
5	BONNET	EPOXY COATED CARBON STEEL**	1
6	THRUST WASHER	TEFLON	1
7	COMPLETION PLUG	REINFORCED COMPOSITE POLYMER	1
8	COMPLETION PLUG O-RING	RUBBER, BUNA-N	1
9	VALVE STEM O-RING	RUBBER, BUNA-N	1
10	FLANGE O-RING 4-12"	RUBBER, BUNA-N	1
11	COMPLETION PLUG PINS 4" - 8"	SAE GRADE 8 STEEL, ZINC COATED	4
	COMPLETION PLUG PINS 10" - 12"	SAE GRADE 8 STEEL, ZINC COATED	6
12	PIN PLUGS 4" - 8"	304 STAINLESS STEEL	4
	PIN PLUGS 10" - 12"	304 STAINLESS STEEL	6
13	BONNET NUTS 4" - 8"	304 STAINLESS STEEL - COATED TO PREVENT GALLING*	8
	BONNET NUTS 10" - 12"	304 STAINLESS STEEL - COATED TO PREVENT GALLING*	12
14	VALVE STEM	304 STAINLESS STEEL	1
15	IV 250 PATRIOT SERIES BODY	304 STAINLESS STEEL	1
16	VALVE PIN 4" - 12"	STEEL, MILD	4
17	STEM COLLAR	NO LEAD BRASS	1
18	IV 250 CARTRIDGE	REINFORCED COMPOSITE POLYMER	1
19	CARTRIDGE SEAL	EPDM	1
20	BODY MOUNT NUTS 4" - 6"	304 STAINLESS STEEL - COATED TO PREVENT GALLING*	8
	BODY MOUNT NUTS 8"	304 STAINLESS STEEL - COATED TO PREVENT GALLING*	10
	BODY MOUNT NUTS 10" - 12"	304 STAINLESS STEEL - COATED TO PREVENT GALLING*	14
21	BODY MOUNT WASHERS 4" - 6"	304 STAINLESS STEEL*	8
	BODY MOUNT WASHERS 8"	304 STAINLESS STEEL*	10
	BODY MOUNT WASHERS 10" - 12"	304 STAINLESS STEEL*	14
22	BODY MOUNT CARRIAGE BOLTS 4" - 6"	304 STAINLESS STEEL*	8
	BODY MOUNT CARRIAGE BOLTS 8"	304 STAINLESS STEEL*	10
	BODY MOUNT CARRIAGE BOLTS 10" - 12"	304 STAINLESS STEEL*	14
23	MOUNTING BODY - TOP	304 STAINLESS STEEL*	1
24	WEDGE BOLT	STAINLESS STEEL 18-8	1
25	RESILIENT WEDGE	EPDM	1
26	BODY SEALING GASKET	RUBBER, BUNA-N	1
27	MOUNTING BODY - BOTTOM	304 STAINLESS STEEL	1
28	BOTTOM BODY SEALING GASKET 8" - 12" ONLY	RUBBER, BUNA-N	1

* Domestic option available at additional cost.

** Domestic Stainless Steel Flange option available at additional cost.

Weights and Dims

Size	A	B	C	D	Approx. Weight
4"	12"	18.6	8.4	13.5	138 lbs
6"	12"	21.5	8.4	13.5	173 lbs
8"	16"	24.6	8.4	13.5	229 lbs
10"	24	30	17	19	370 lbs
12"	24	33	17	19	425 lbs

Proprietary Information: This property of Hydra-Stop shall not be used, reproduced or distributed without written consent. All design and invention rights are reserved. Patents Pending.

Patents Pending