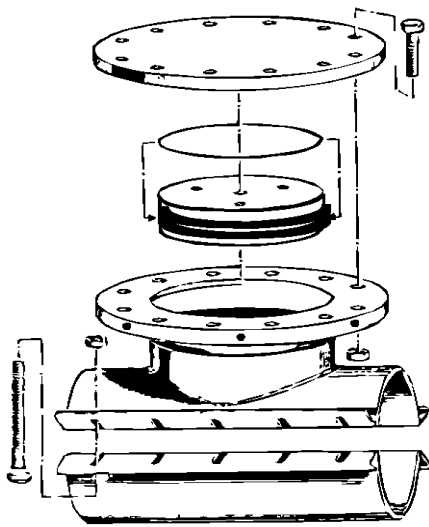


IFT COMPLETION PLUG ASSEMBLIES



IFT Completion Plug Assemblies

Completion plug assemblies come in many different styles. (See Figure 1).

IFT completion plugs for pressures through 300 psi. use a pin type assembly that requires boring and threading of the flange. The inside threaded hole holds a retainer pin which threads into the top groove of the completion plug. The outside thread is tapered to match a pipe plug that seals the pin assembly.

(See Figure 2)

Figure 1
Typical Completion Plug Assembly

The completion plug fits into the flange and seals with an O-ring against the inside of the nozzle. The plug is held in place by the pin assembly that is installed from the outside with an allen wrench. (See Figure 3)

Once the completion plug is set, the temporary valve can be removed and a blind flange can be installed over the assembly as a secondary cover. One benefit of using this type of fitting is that the access can be utilized later to restop the line through the original line stop fitting.

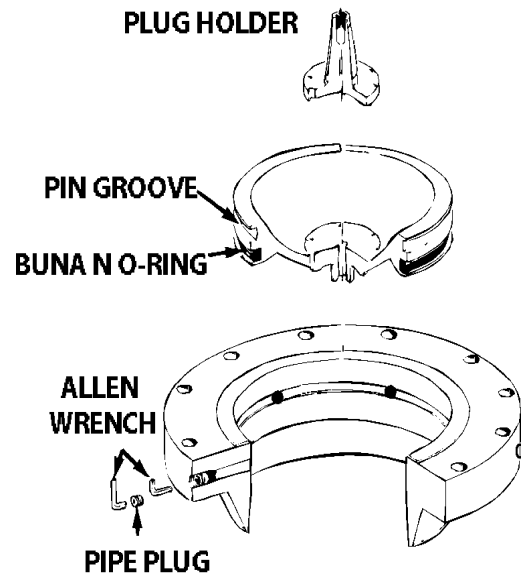


Figure 2
Completion Plug and Pin Assembly

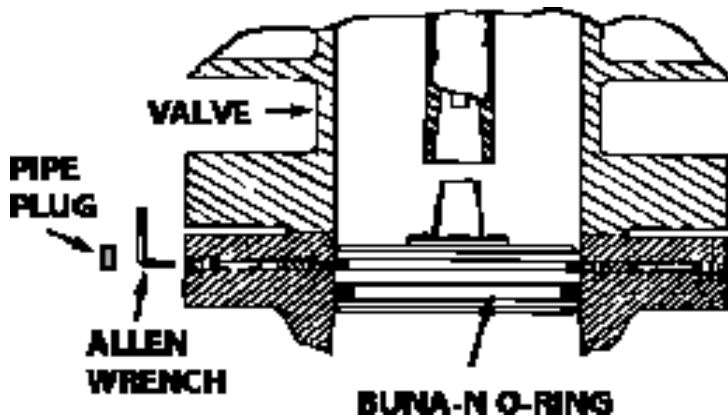


Figure 3
Completion Plug Installation

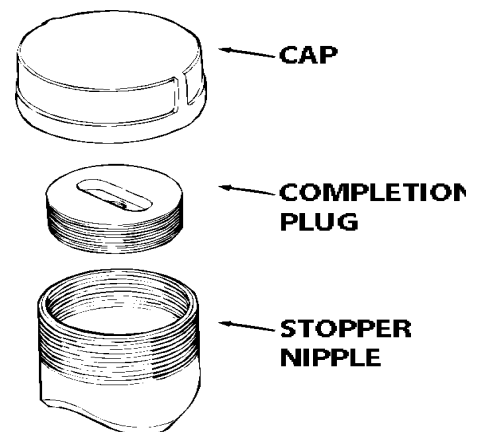


Figure 4
Threaded Cap, Completion Plug & Stopper Fitting