



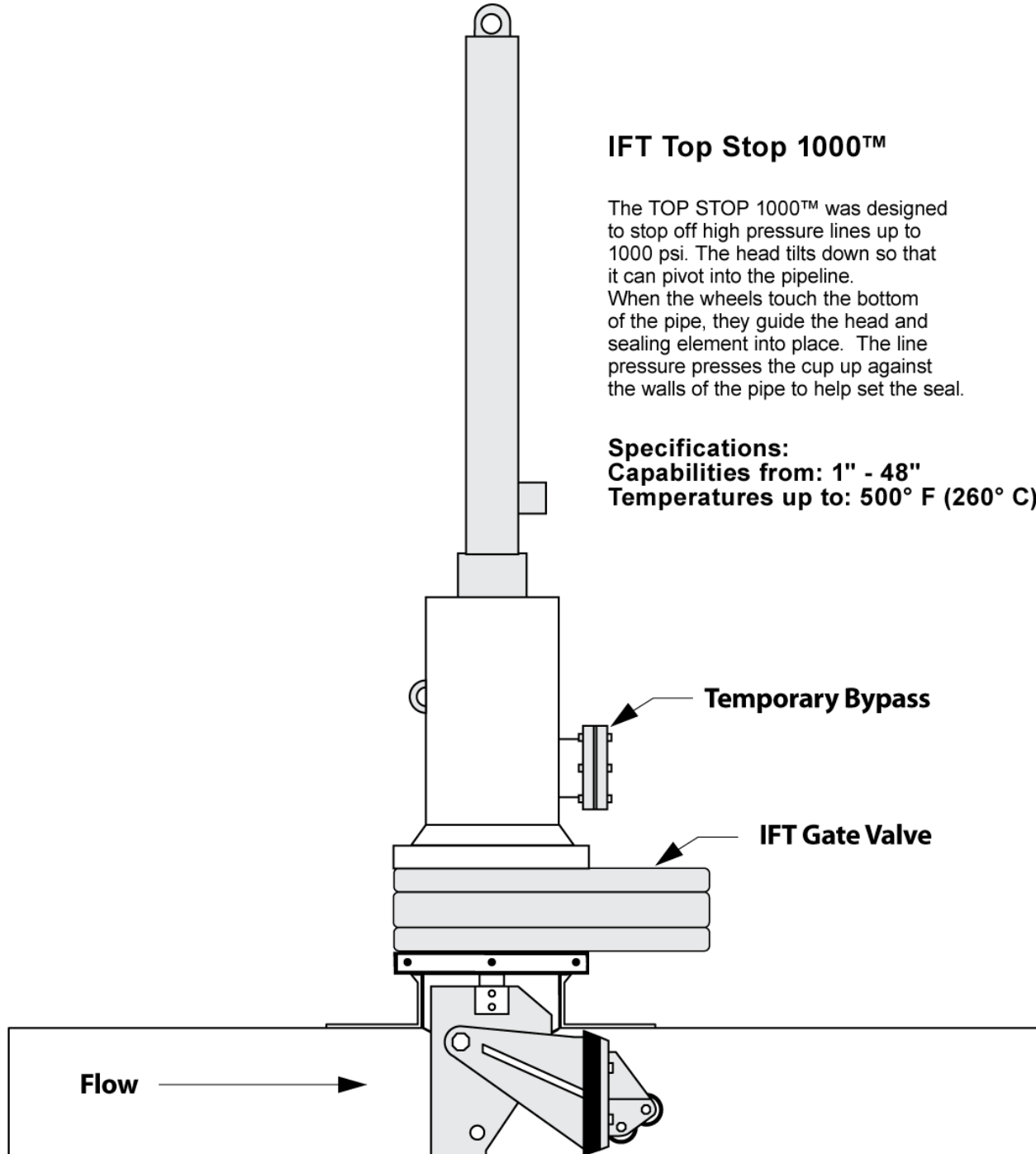
www.Linestop.com

## IFT Top Stop 1000™

### IFT Top Stop 1000™

The TOP STOP 1000™ was designed to stop off high pressure lines up to 1000 psi. The head tilts down so that it can pivot into the pipeline. When the wheels touch the bottom of the pipe, they guide the head and sealing element into place. The line pressure presses the cup up against the walls of the pipe to help set the seal.

**Specifications:**  
**Capabilities from: 1" - 48"**  
**Temperatures up to: 500° F (260° C)**



IFT Top Stop 1000™